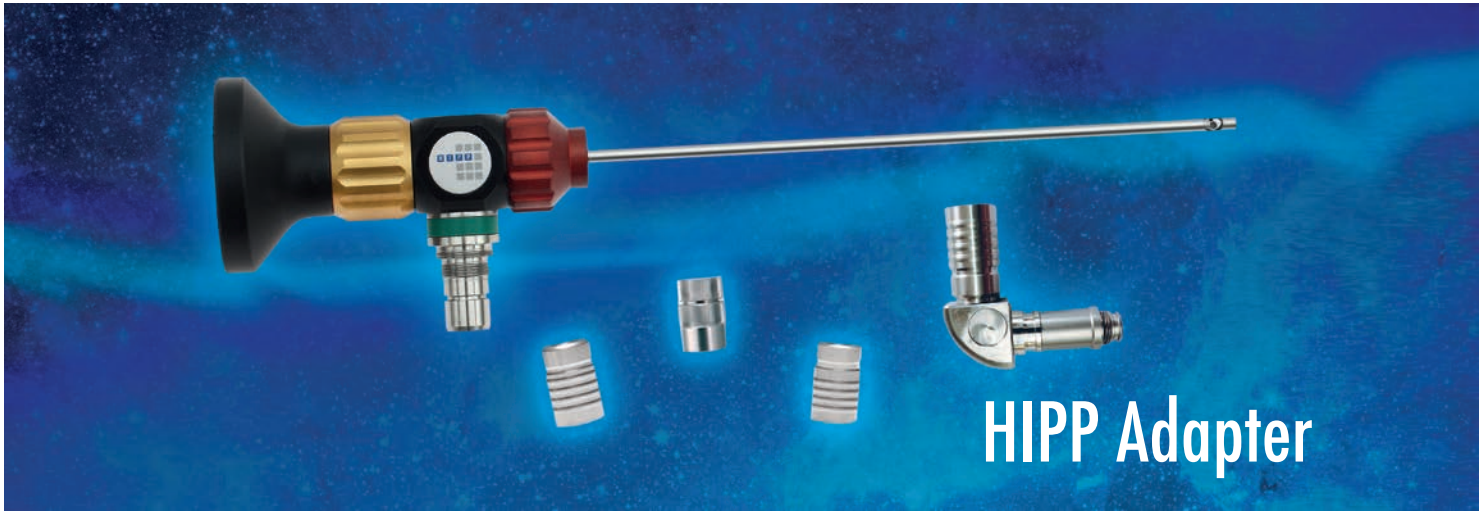


HIPP Endoskop Service GmbH

>> *your requirements are our aims.*



Technical Product Information

MADE IN GERMANY



HIPP Borescopes

>> *for industrial application.*



■ Our vision – giving the gift of time to our customers

The optimum orientation towards our customers with their needs and requirements constitutes a constant challenge for us to make a small but valuable contribution in facilitating their daily routine. Due to a service portfolio tailored to suit the specific needs of the market and compatibility with other well-known borescope manufacturers, HIPP has evolved into one of the leading companies in the field of industrial endoscopy. We might not be a leader in terms of company size or volumes of systems installed, but certainly we are a leader in manufacturing a well-selected product range of customized borescopes.

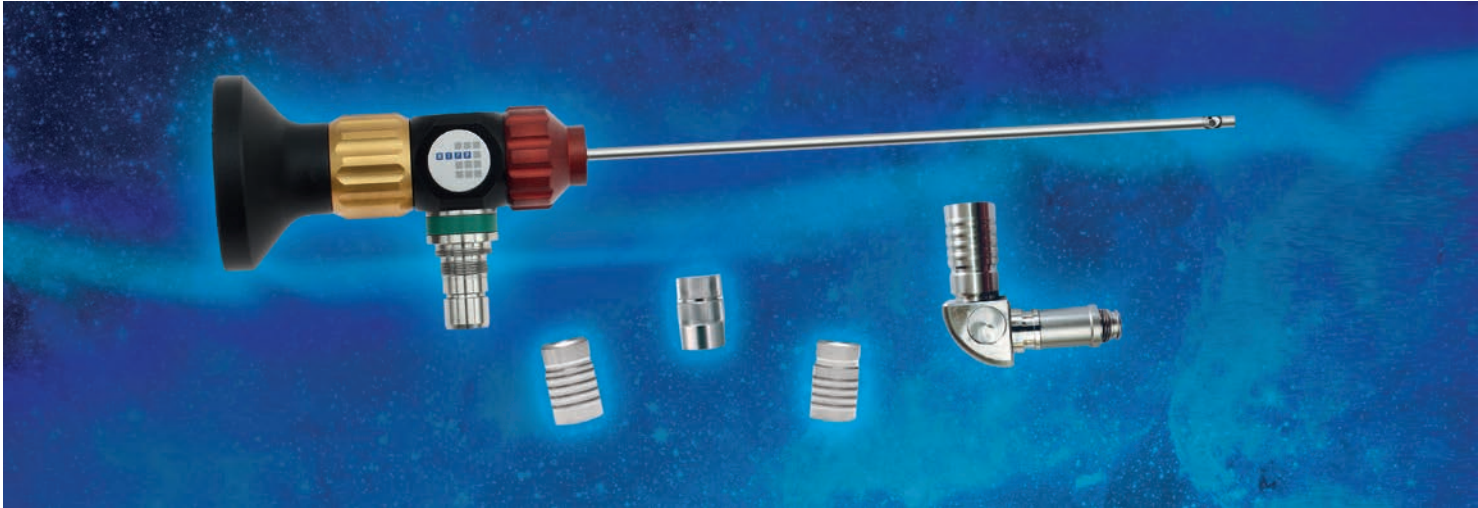
HIPP Endoskop Service GmbH was founded in July 1996 by Alexander and Frank Hipp. As integrated service providers and manufacturers we stand for traditional value structures. Our activities have always been focussed on the development, maintenance and manufacture of all types of industrial borescopes. Thanks to our extensive know-how along with the strong personal commitment of all our employees, creativity, team spirit as well as the stability and permanence of a family-owned business we guarantee the highest level of quality – “Made in Germany”.

HIPP Service – customer orientation is our benchmark

Of course, customer care and after-sales service are our first priority. Spare parts supply is guaranteed for 10 years. Short repair times in the event of damage (14 days) as well as quick and uncomplicated processing are part of our standards.

HIPP Accessories

>> *adapter.*



■ HIPP Adapter for maximum compatibility

HIPP Adapters allow the use of individual system components from other manufacturers, in particular Storz, Wolf, etc.

Adapter

■ Adaption: Borescope on optical fiber

■ Adaption: Light guide to light source

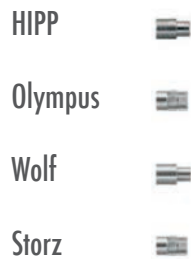
HIPP Adapter

>> *compatibility.*

Cold Light Cables / Light Guides

HIPP Cold Light Cables / Light Guides come standard with the adapters for connecting HIPP Borescopes and HIPP Light Sources. They are compatible with systems from other manufacturers via various adapters.

Adapter-Borescope



Adapter-Light Guide



Borescope Adapter Systems ■ HIPP

Borescope	Adapter BK-side	Adapter LL-side	Light Guide	Adapter LQ-side	Light Guide
HIPP	-	14-0065-00	HIPP	14-0058-00	HIPP
HIPP	-	14-0065-00	HIPP	13-1032-00	Olympus
Storz	10-0051-00	13-1034-00	HIPP	14-0058-00	HIPP
Storz	10-0051-00	13-1034-00	HIPP	13-1031-00	Storz
Wolf	50-0310-00	13-1036-00	HIPP	14-0058-00	HIPP
Wolf	50-0310-00	13-1036-00	HIPP	13-1033-00	Wolf

HIPP Adapter

>> *compatibility.*

■ Preparation of the HIPP Borescope for connection with non-HIPP light guide

HIPP Borescopes come with the adapter for connecting HIPP Cold Light Cables / Light Guides (Figure 1). In order to connect cold light cables / light guides from other manufacturers, suitable adapters are needed. (Wolf, Storz, etc.) (Figure 2).

Figure 1

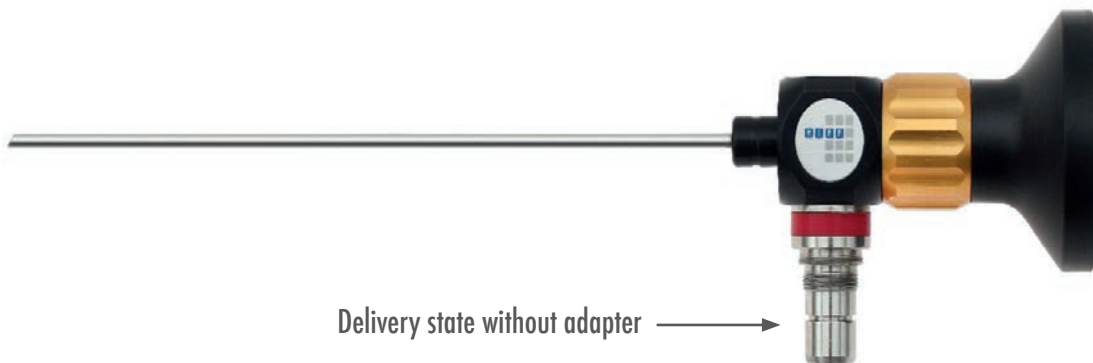


Figure 2

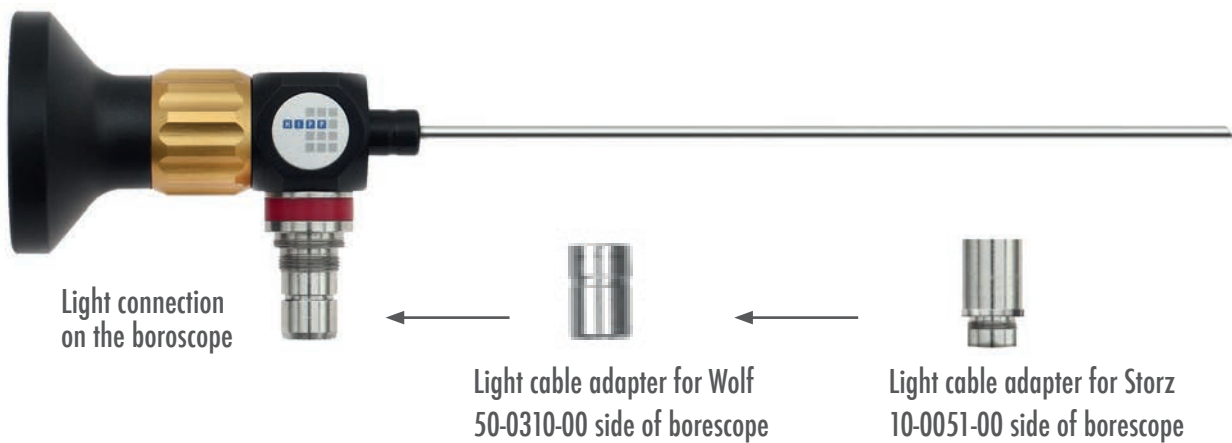


Figure 3

The angle adapter allows a change between Storz and Wolf - and vice versa.



HIPP Adapter

>> *compatibility.*

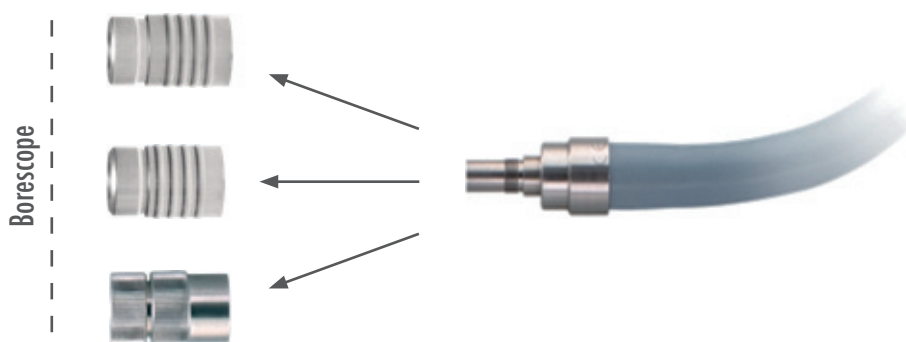
■ Preparing the light guide for connection to the HIPP Borescope

In a further step, the corresponding adapter must be screwed to the light guide. Then borescope and light guide can be connected to each other. When using the HIPP Adapter, no additional adapter is required.

Light cable adapter for Wolf
Side of light guide 13-1036-00

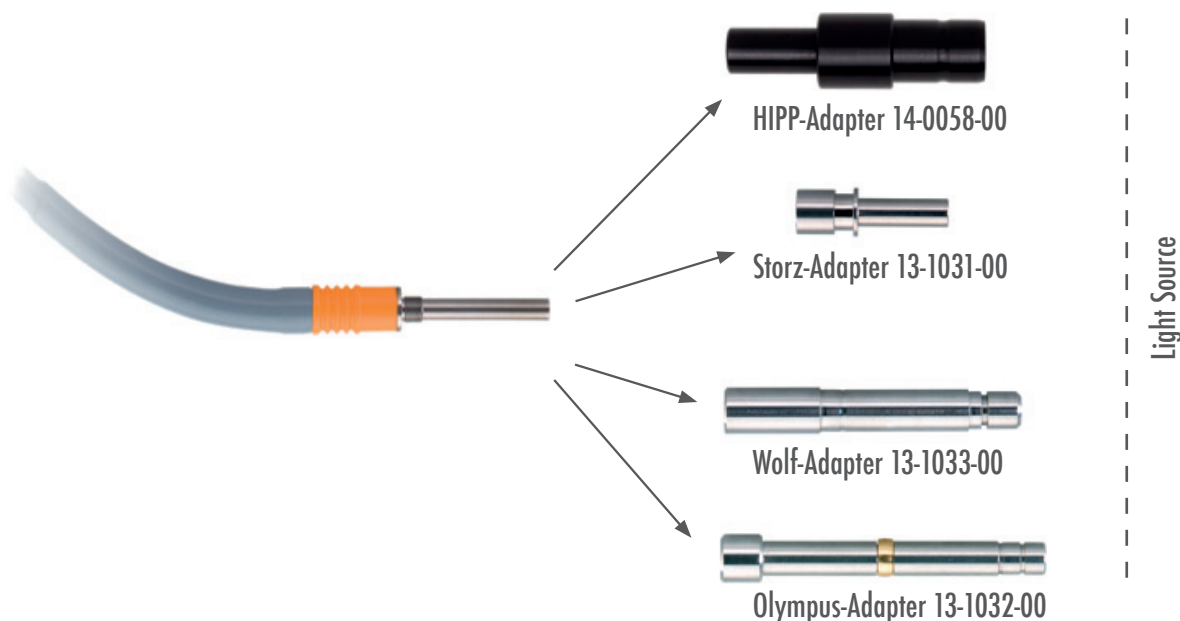
Light cable adapter for HIPP
Side of light guide 14-0065-00

Light cable adapter for Storz
Side of light guide 13-1034-00



■ Connecting a HIPP Cold Light Cable to non-HIPP lighting

HIPP Borescopes come with HIPP Cold Light Cables / Light Guides. When using light sources from other manufacturers, the HIPP Light Guide can be connected to the light source using an adapter.



HIPP Adapter

>> *variants overview.*

Borescope Adapter

Item	Item-No
Wolf Adapter	50-0310-00
Storz Adapter	10-0051-00

Borescope Angle Adapter

Item	Item-No
Angle Adapter	50-0722-00

Cold Light Cable / Light Guide Adapter (Borescope)

Item	Item-No
HIPP Adapter	14-0065-00
Wolf Adapter	13-1036-00
Storz Adapter	13-1034-00

Cold Light Cable / Light Guide Adapter (Light Source)

Item	Item-No
HIPP Adapter	14-0058-00
Wolf Adapter	13-1033-00
Storz Adapter	13-1031-00
Olympus Adapter	13-1032-00



HIPP Endoskop Service GmbH

>> *your requirements are our aims.*



HIPP Adapter

Technical Product Information



HIPP Endoskop Service GmbH
Glottertalstrasse 10
79108 Freiburg / Germany
Telephone: +49 (0) 761 / 52800
Telefax: +49 (0) 761 / 52855
E-Mail: info@hipp-es.com
Internet: www.hipp-es.com

